


**CS 8100SC - PRE-INSTALLATION CHECK LIST**

This document- fully completed - has to be sent back by e-mail to



EAMER : [operationsdental@carestream.com](mailto:operationsdental@carestream.com) - GAR: [GARSupport@carestream.com](mailto:GARSupport@carestream.com) -

<b>YOUR Order reference:</b>	<b>Intervention Date:</b>
<b>OUR Order reference:</b>	
<b>Dealer information</b>	<b>Delivery Address</b>
Company name:	Dental practice:
Address:	Address:
City:	City:
Postal Code:	Postal code:
Country:	Country:
Contact's name:	Contact's name:
Telephone:	Telephone:
Requested delivery date :	Time :

<b>Information for the delivery</b>			
<b>1. Delivery at dental/medical practice</b>			
Restriction for vehicles 	<input type="checkbox"/> Yes <input type="checkbox"/> No <input type="checkbox"/> Don't know	Please Specify	
Pedestrian area <input type="checkbox"/>	Main road <input type="checkbox"/>	Shopping center <input type="checkbox"/>	Unrestricted <input type="checkbox"/>



Check the following requirements for the dimensions of the CS 8100SC unit PACKED and UNPACKED  
**WARNING :** If you need to add a base plate you must add 12.5 mm to the Height of the unit

		
Packaging size (ceph only)	Box: 675mm (D) x 1000mm (L) x 1065mm (H)	Weight: 65 kg
Separate packaging size (CS 8100) 2 boxes	Head box : 930mm x 380mm x 770mm Accessories box: 800mm x 400mm x 350m Column box: 450mm x 350mm x 1650mm	Weight: 45 kg Weight <10kg Weight: 33 kg
<b>CS 8100SC unpacked</b>	<b>1842 (L) x 894 (D) x 1596 (H) mm</b>	<b>Weight: 102 kg</b>



**2. Access to the dental practice, please compare with the CS 8100 SC unit dimensions**

2.1. Through main entrance <input type="checkbox"/>	Secondary entrance <input type="checkbox"/>
2.2. Entrance' dimensions	Width : mm      Height : mm      OK <input type="checkbox"/>
2.3. Corridor's dimensions	Width : mm      Length: mm      OK <input type="checkbox"/>
2.4. Ground floor: <input type="checkbox"/>	Floor: <input type="checkbox"/> Floor #

**If delivery in on ground floor, please go to point 4**

**3. Delivery is NOT on ground floor**

3.1. Lift available	Yes <input type="checkbox"/>	No <input type="checkbox"/> if No, go to point 4.5
3.2. Lift entrance dimensions	Width mm	Height mm
3.3. Lift's max load	Weight kg	

**If the lift meets the requirements go to point 5.**

3.4. Stairs' Dimensions	Width mm	
-------------------------	----------	--

**4. Access to the room where the unit will be installed**

4.1. Door's dimensions	Width mm	Height: mm
4.2. Corridor's dimensions	Width mm	Height: mm

Delivery part: Please type here any specific or useful information



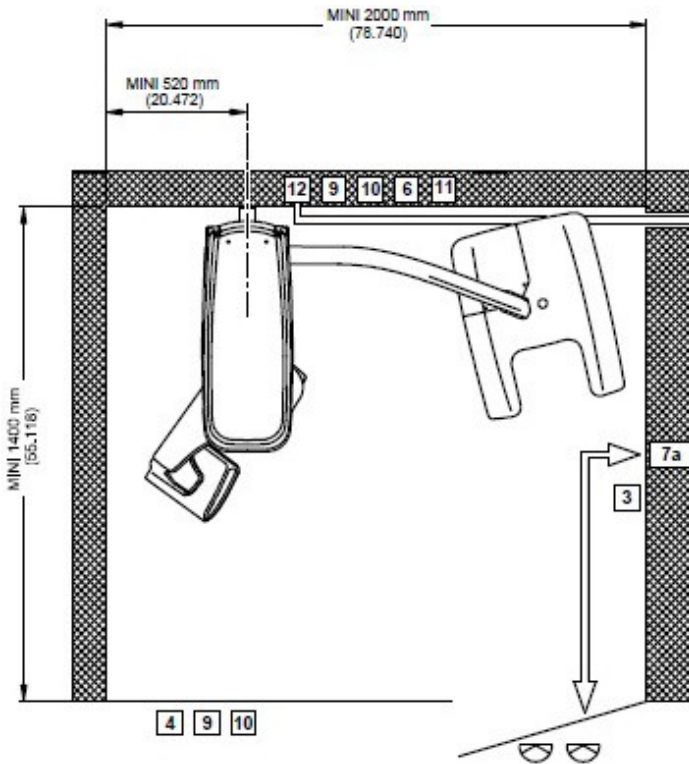
**WARNING :The site must comply with the local regulation**

**5. Room dimensions requirement**

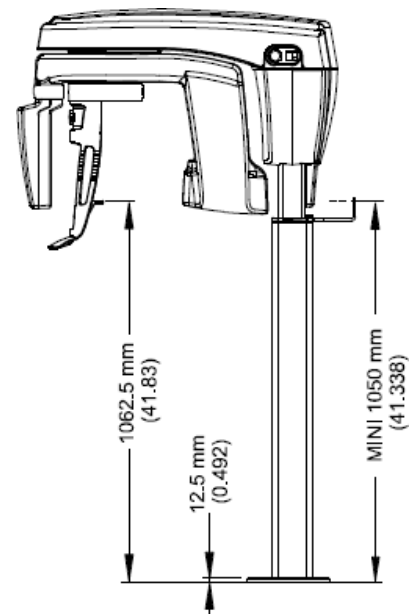
5.1. Minimum space	Width door: 750 mm	Room dimensions	Width door: mm
	Width: <b>2000 mm</b>		Width: mm
	Depth: <b>1400 mm</b>		Depth: mm
	Height: <b>2400 mm</b>		Height: mm

Note 1: The door of the X-Rays acquisition room must not impede the unit arm rotation.

Note 2: Allow sufficient workspace around the patient chair - see drawings



**WALL MOUNTING**



5.2. Wall and floor	
Streight of the wall, extraction force/attachment point: <b>150 kPa at each point</b>	Yes <input type="checkbox"/> No <input type="checkbox"/>
The floor is solid and flat	Yes <input type="checkbox"/> No <input type="checkbox"/>
5.3. Radio protection	
Recommended lead shielding is 2 mm lead thickness equivalent depending on the surrounding wall/door nature	Yes <input type="checkbox"/> No <input type="checkbox"/>
5.4. Control room	
Will the customer's PC work in a network ?	Yes <input type="checkbox"/> No <input type="checkbox"/>
Is there a place/table for a monitor? (100cm at least)	Yes <input type="checkbox"/> No <input type="checkbox"/>

Is there high speed internet connection?	Yes <input type="checkbox"/>	No <input type="checkbox"/>
<b>Can we access the Network from outside?</b>	Yes <input type="checkbox"/>	No <input type="checkbox"/>
Is there a DPMS? Which one?		
Is there already a DIS database in place?	Yes <input type="checkbox"/>	No <input type="checkbox"/>
If yes, Is there a link between the DPMS in place?		
Is there a phone set close to control room?	Yes <input type="checkbox"/>	No <input type="checkbox"/>
<b>Note 3: From the control room, the practician has to be able to see the patient permanently. We recommend leaded glass for all windows.</b>		
Are the windows leaded?	Yes <input type="checkbox"/>	No <input type="checkbox"/>

**Room requirement summarize:** Please type here any specific and usefull information

**6. ⚡ Electrical requirements**

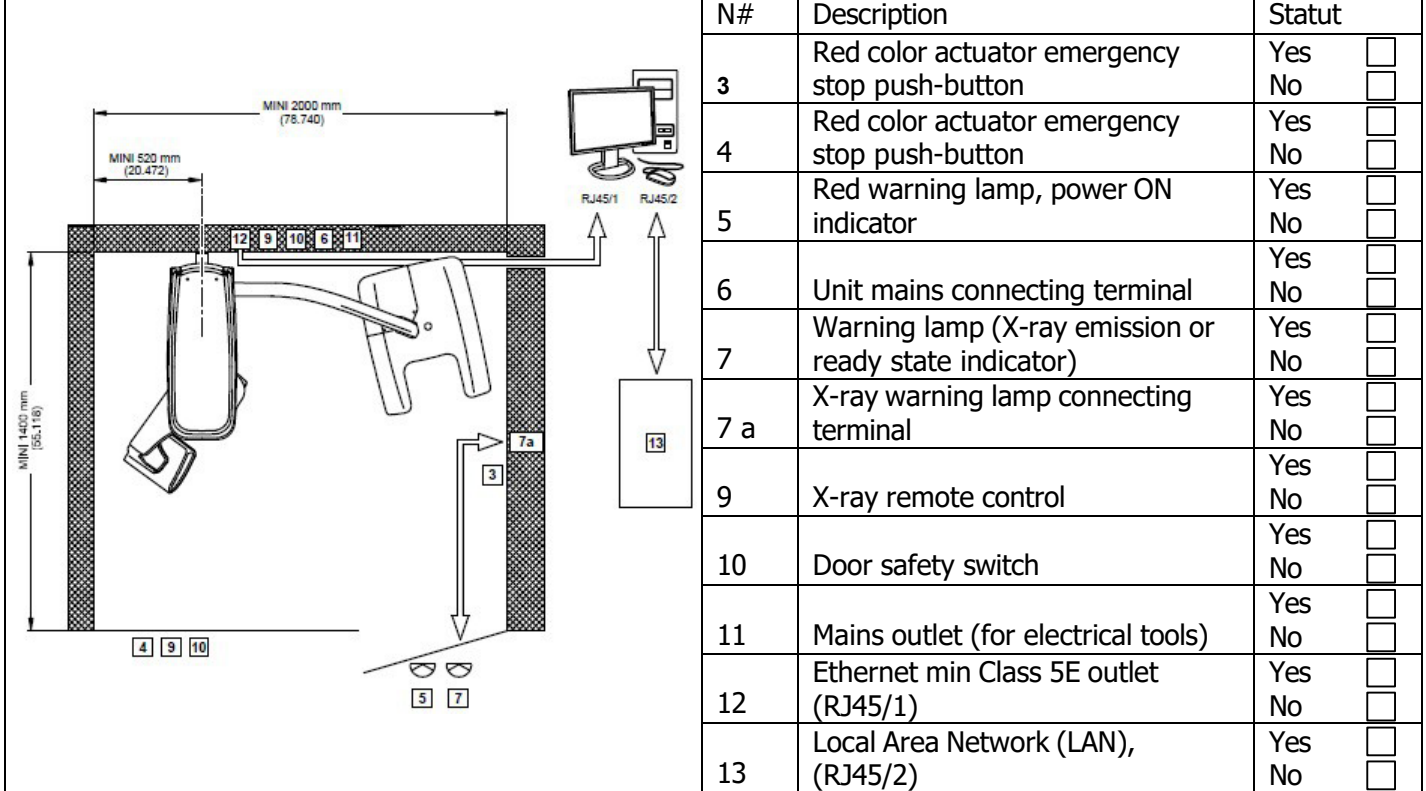
6.1. CS 8100SC unit requires the following dedicated electrical circuit. Please specify :

230V-240V - circuit breaker 16A / 30mA differential RCCB	Yes <input type="checkbox"/>	No <input type="checkbox"/>
110V-130V - circuit breaker 20A / 30mA differential RCCB	Yes <input type="checkbox"/>	No <input type="checkbox"/>

6.2.

✓ The power supply line must be equipped with a connection box that ensures a constant connection.	Yes <input type="checkbox"/>	No <input type="checkbox"/>
✓ It must not be possible to connect the unit to the power supply without using a tool.	Yes <input type="checkbox"/>	No <input type="checkbox"/>
✓ The unit must be protected against any accidental disconnection.	Yes <input type="checkbox"/>	No <input type="checkbox"/>

6.3. CS 8100SC electrical circuitry – *please see diagram next page*



Please specify if any electrical requirement does not comply:

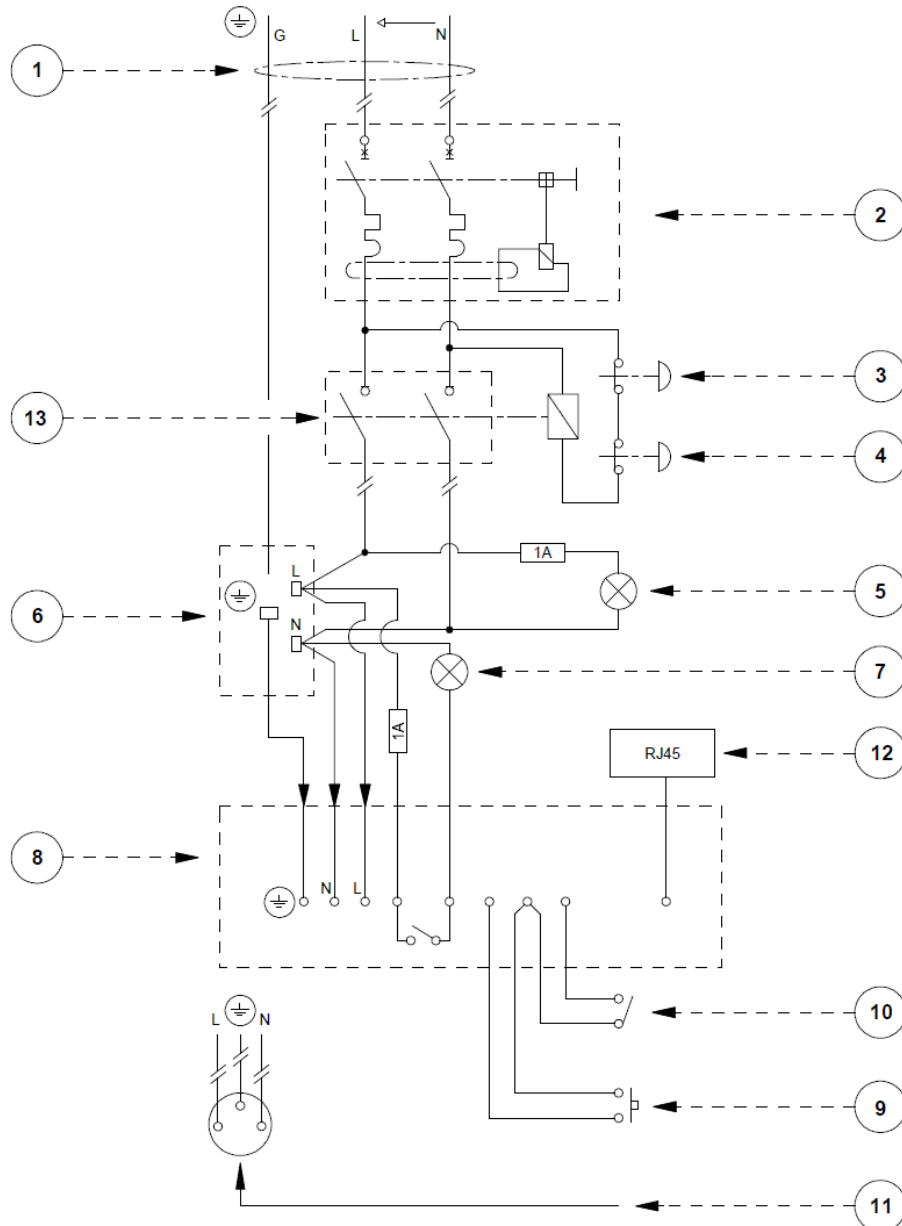
Electrical part summarize: Please type here any specific or useful information

**7. Environmental requirements**

The ambient temperature should be 5°C to 35°C with a maximum of 30-85% relative humidity, non condensing	Yes <input type="checkbox"/>	No <input type="checkbox"/>	Don't know <input type="checkbox"/>
--	------------------------------	-----------------------------	-------------------------------------

The atmospheric pressure must be 700-1060 hpa	Yes <input type="checkbox"/>	No <input type="checkbox"/>
	Don't know <input type="checkbox"/>	

**CS 8100SC – Electrical diagram of the X-Ray Room and the System Connections**



- |   |  |
|---|--|
| <ul style="list-style-type: none"> <li>1 General mains</li> <li>2 Differential circuit breaker</li> <li>3 Red color actuator emergency stop push-button</li> <li>4 Red color actuator emergency stop push-button</li> <li>5 Red warning lamp, power ON indicator</li> <li>6 System mains connecting terminal</li> <li>7 Warning lamp (X-ray emission or ready state indicator)</li> </ul> | <ul style="list-style-type: none"> <li>7a X-ray warning lamp connecting terminal</li> <li>8 Column connecting terminals</li> <li>9 X-ray remote control</li> <li>10 Door safety switch</li> <li>11 Mains outlet (for electric tools)</li> <li>12 Ethernet outlet (RJ45/1)</li> <li>13 Contactor</li> </ul> |
|---|--|

DSE Name :	Carestream representative name (DSM):
DSE mobile #:	Carestream representative mobile #:
Date:	Date:

Final comment :  
please type here any useful information

[Redacted area]